



**EFA
Fiber Clip**

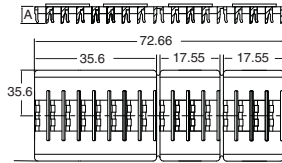
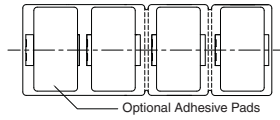
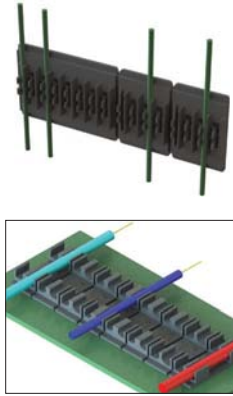


Figure 1

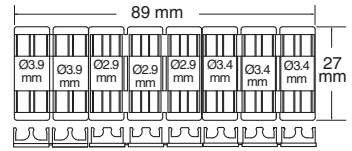


Figure 2

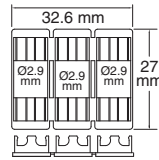


Figure 3

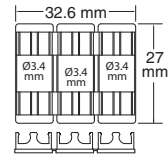


Figure 4

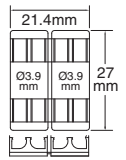


Figure 5

Specifications:

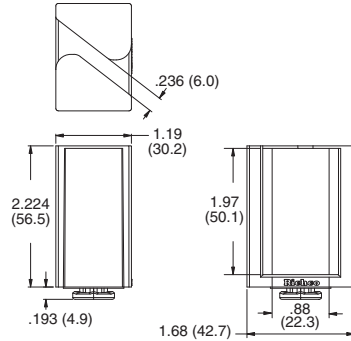
- Material: UL94 V-0 Nylon 6
- Color: See Chart

Features:

- EFA04-06, EFA04-08, and EFA04-18 can be broken apart to form individual clips
- Various mounting options are available
- An Egide/Richco product

| Item No. | | Cable Ø | | | | | Bulk Pack Qty. |
|--------------|---------------------------|---------|-------|------------------|---------------|--------------|----------------|
| Clip Only | Clip with Adhesive Pad(s) | Figure | Color | In | mm | No. of Slots | |
| EFA04-06-001 | EFA04-06-ASS | 1 | Black | 0.118 | 3.0 | 16 | 100 |
| EFA04-08-001 | EFA04-08-ASS | 1 | Blue | 0.079 | 2.0 | 16 | 100 |
| EFA04-18-001 | EFA04-18-ASS | 2 | Black | .154, .134, .114 | 3.9, 3.4, 2.9 | 4, 6, 6 = 16 | 100 |
| EFA04-71-001 | EFA04-71-P01 | 3 | Black | 0.114 | 2.9 | 6 | 100 |
| EFA04-71-002 | EFA04-71-P02 | 4 | Black | 0.134 | 3.4 | 6 | 100 |
| EFA04-71-003 | EFA04-71-P03 | 5 | Black | 0.154 | 3.9 | 4 | 100 |

**OFRB
Fiber Rack Bracket**



Specifications:

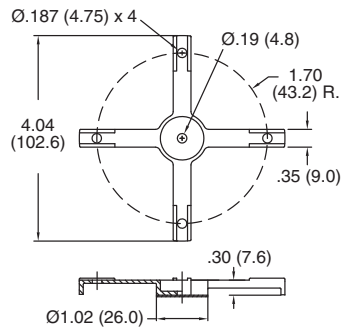
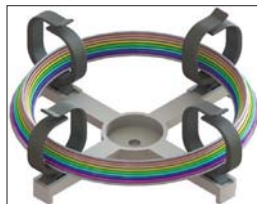
- Material: UL94 V-0 Nylon 6/6
- Color: Black

Features:

- Mounts into a standard 19" rack with a quarter turn
- Removable with a quarter turn
- No stress is applied to the fiber upon entry

| Item No. | Square Mounting Hole | | Panel Thickness | | Bulk Pack Qty. |
|----------|----------------------|-------------|-----------------|-----------|----------------|
| | In | mm | In | mm | |
| OFRB-1BK | 0.465 x 0.465 | 11.8 x 11.8 | 0.063 - 0.079 | 1.6 - 2.0 | 100 |
| OFRB-2BK | 0.374 x 0.374 | 9.5 x 9.5 | 0.063 - 0.079 | 1.6 - 2.0 | 100 |

**OFBSB
Fiber Support Base**



Specifications:

- Material: See Chart
- Color: Natural

Features:

- Constructs a path for spooling fiber optic cables
- Designed for use in fiber optic patch panel applications
- Center hole is for mounting the base with a #8 screw or SR-5XXX rivet
- Any Essentra wire routing device that is designed to snap into a .187 hole and a .062" panel can be mounted to this base. Popular options are OFNS, STL, WS and LWS series

| Item No. | | Mounting Method | Bulk Pack Qty. |
|--------------------|--------------------|---------------------------|----------------|
| UL94 V-2 Nylon 6/6 | UL94 V-0 Nylon 6/6 | | |
| OFSB-4-85-01A | OFSB-4-85-19A | Adhesive | 100 |
| OFSB-4-85-01 | OFSB-4-85-19 | #8 Screw of SR-5XXX Rivet | 100 |